

BHA
BAYONNE HOUSING AUTHORITY

**SPECIFICATIONS FOR FIRE ALARM UPGRADE MATERIALS BID
HOUSING AUTHORITY OF THE CITY OF BAYONNE**

SCOPE

The Housing Authority of the City of Bayonne (the "Authority") is seeking bids for the below listed Fire Alarm Upgrade Materials.

DESCRIPTION

<i>Item #</i>	<i>Amt.</i>	<i>Description</i>
ITEM #1:	480	Fire-Lite SD365-IV Addressable Photoelectric Smoke Detector (or Equivalent)
ITEM #2:	60	Fire-Lite SD365 Addressable Plug-in Photoelectric Smoke Detector (or Equivalent)
ITEM #3:	20	Fire-Lite H365 Addressable Heat Detector (or Equivalent)
ITEM #4:	70	Fire-Lite H365-IV Addressable Heat Detector (or Equivalent)
ITEM #5:	105	Fire-Lite BG-12LX Dual Action Addressable Pull Station (or Equivalent)
ITEM #6:	14	System Sensor SS-CO Addressable CO Detector (or Equivalent)
ITEM #7:	41	Fire-Lite CRF-300 2-Form Relays (or Equivalent)
ITEM #8:	25	Fire-Lite CMF-300 Intelligent Addressable Control Module (or Equivalent)
ITEM #9:	15	Fire-Lite MMF-301 Addressable Mini-Monitor Module (or Equivalent)
ITEM #10:	10	Fire-Lite ANN-80 80-Character Serial LCD Annunciator (or Equivalent)
ITEM #11:	11	Fire-Lite ES-1000X Fire Alarm Control Panel (or Equivalent)

REQUIREMENTS OF THE VENDOR

A Vendor shall provide new products only. A used product is not acceptable.

This Bid Solicitation is for the outright purchase of the products only.

All bids should be submitted with complete detailed specifications of the products.

Bids shall include an estimated delivery date.

PROPOSAL

ATTACH BREAKDOWN OF COSTS FOR INDIVIDUAL ITEMS TO PROPOSAL.

ITEM #1 LUMP SUM COST	\$ <u>71,520.⁰⁰</u>
ITEM #2 LUMP SUM COST	\$ <u>3,660.⁰⁰</u>
ITEM #3 LUMP SUM COST	\$ <u>1,140.⁰⁰</u>
ITEM #4 LUMP SUM COST	\$ <u>8,750.⁰⁰</u>

INVITATION TO BID

THE HOUSING AUTHORITY OF THE CITY OF BAYONNE 549 AVENUE A, BAYONNE, N.J. 07002

The Housing Authority of the City of Bayonne is receiving bids for **PURCHASING OF FIRE ALARM UPGRADE MATERIALS (Smoke Detectors, Heat Detectors, Pull Stations, Carbon Monoxide Detectors, Control Modules, Relays, Annunciators, and Control Panels)**.

The Housing Authority of the City of Bayonne, the Awarding Authority (the "Owner"), will receive sealed bids no later than **October 2, 2024 AT 11:15 AM**, prevailing time at the office of the Housing Authority of the City of Bayonne, at the address set forth above, **549 Avenue A, Bayonne, NJ 07002** in order to be considered.

Parties interested in submitting a Sealed Bid may retrieve detailed Specifications from the Authority's website at www.bayonneha.org/bids beginning on September 18, 2024. Any questions can be directed to epacyna@bayonneha.org.

Bids must be submitted in a sealed envelope, addressed to the Authority, as directed by the Specifications. Envelopes shall contain, on the exterior, the designation of the contract for which the bid is entered, and the name, address and telephone number of the Bidder.

Parties choosing to submit their bids via the United States mail are required to have the mail delivered prior to the appointed bid opening time. Proper consideration must be given to allow for weekends and holidays.

The Authority reserves the right to waive any informality in any bid or bids, to reject any and all bids, and to accept such bid or bids and to make such awards as may be in the best interest of the Authority.

The Invitation for Bid and the contract awarded to it comply with the fair and open process, established and further defined by N.J.S.A. 19:44A-20.7. Consequently, the provision of N.J.S.A 19:44A-20.5 and N.J.S.A 19:44A-20.26, as to campaign contributions, do not apply to the Invitation to Bid and the contract to be awarded hereunder.

Bidders and the successful Contractor and his subcontractors will be required to comply with Affirmative Action Regulations of the State of New Jersey, stipulated in N.J.S.A. 10:5-31-38, and to comply with Chapter 33 of the Public Laws of 1977 and with the requirements of Public Law of 1975, Chapter 127, and N.J.A.C. 17:27 "Law Against Discrimination", current regulations, as well as all federal Affirmative Action Programs.

All Bidders, including corporations, partnerships, and sole proprietorships, must submit a Statement of Ownership.

The project is being executed with funds provided by the U.S. Government through Department of Housing and Urban Development.

John T. Mahon, Executive Director
Housing Authority of the City of Bayonne

ITEM #5 LUMP SUM COST \$ 9,450.⁰⁰
 ITEM #6 LUMP SUM COST \$ 1,302.⁰⁰
 ITEM #7 LUMP SUM COST \$ 3,280.⁰⁰
 ITEM #8 LUMP SUM COST \$ 1,825.⁰⁰
 ITEM #9 LUMP SUM COST \$ 765.⁰⁰
 ITEM #10 LUMP SUM COST \$ 3,230.⁰⁰
 ITEM #11 LUMP SUM COST \$ 16,632.⁰⁰

TOTAL LUMP SUM \$ 121,554.⁰⁰

ALARMAX DIST INC Federal ID # or Social Security # 251-638-091/000
 Company Name

110 HOBART STREET HARKONSAVER NJ 07601
 Address

[Signature] BRAD THORN (SALES)
 Signature of Authorized Agent Type or Print Name

SALES
 Title

201-489-0521 EXT 114 9/26/2024
 Telephone Number Date

201-489-0563 BTHORN@ALARMAX.COM
 Fax Number E-mail address

QUOTATION

AlarMax Distributors, Inc.

381 Mansfield Avenue
 Suite 205
 Pittsburgh, PA 15220
 US
 412-921-8330



Order Number	
1156563	
Order Date	Page
09/19/2024 15:42:56	1 of 2

Quote Expires On: 11/18/2024

Bill To:

HOUSING AUTHORITY OF THE CITY
 OF BAYONNE
 P O BOX 277
 BAYONNE, NJ 07002

Ship To:

HOUSING AUTHORITY OF THE CITY
 OF BAYONNE
 50 EAST 21ST STREET
 BAYONNE, NJ 07002

201-339-8700

Requested By: TOMMY ATTISANO

Customer ID: 24211

PO Number				Ship Route	Taker			
SEALED FIRE-LITE BID					BRAD.THORN			
Quantities					Item ID	Pricing UOM	Unit Price	Extended Price
Ordered	Allocated	Remaining	UOM Unit Size	Disp. Item Description	Unit Size			
480	0	480	EA	1.0	FLT-SD365-IV ADDRESSABLE LOW-PROFILE PHOTOELECTRIC ADDRESSABLE LOW-PROFILE PHOTOELECTRIC SMOKE DETECTOR IVORY LITESPEED ONLY INCLUDES BASE	EA	149.00000	71,520.00
60	0	60	EA	1.0	FLT-SD365 ADDRESSABLE LOW-PROFILE PHOTOELECTRIC SM	EA	61.00000	3,660.00
20	0	20	EA	1.0	FLT-H365 ADDRESSABLE HEAT DETECTOR WHITE LITESP	EA	57.00000	1,140.00
70	0	70	EA	1.0	FLT-H365R-IV ADDRESSABLE HEAT DETECTOR W/RATE-OF-RISE ADDRESSABLE HEAT DETECTOR W/RATE-OF-RISE THERMAL SENSOR IVORY CLIP & LITESPEED INCLUDES BASE	EA	125.00000	8,750.00
105	0	105	EA	1.0	FLT-BG-12LX ADDRESSABLE MANUAL PULL STATION W/BG-12L ADDRESSABLE MANUAL PULL STATION WITH BG-12L FEATURES & ADDRESSABLE INTERFACE MOUNTED INSIDE THE PULL STATION.	EA	90.00000	9,450.00
14	0	14	EA	1.0	SYS-SS-CO FL/SK ADD CO DET	EA	93.00000	1,302.00

QUOTATION

AlarMax Distributors, Inc.

381 Mansfield Avenue
 Suite 205
 Pittsburgh, PA 15220
 US
 412-921-8330



Order Number	
1156563	
Order Date	Page
09/19/2024 15:42:56	2 of 2

Quote Expires On: 11/18/2024

Quantities					Item ID Item Description	Pricing UOM Unit Size	Unit Price	Extended Price
Ordered	Allocated	Remaining	UOM Unit Size	Disp.				
					FL-SK ADDRESSABLE CO DETECTOR W-OUT BASE			
41	0	41	EA		FLT-CRF-300	EA	80.00000	3,280.00
				1.0	ADDRESSABLE RLY MODULE -BUILT-IN TWO FOR			
25	0	25	EA		FLT-CMF-300	EA	73.00000	1,825.00
				1.0	ADDRESSABLE CONTROL MODULE -- ONE SUPERV ADDRESSABLE CONTROL MODULE -- ONE SUPERVISED STYLE Y/Z (CLASS A/B) NOTIFICATION APPLIANCE (BELL) CIRCUIT.			
15	0	15	EA		FLT-MMF-301	EA	51.00000	765.00
				1.0	ADDRESSABLE MINI-MONITOR MODULE ONE STYL ADDRESSABLE MINI-MONITOR MODULE ONE STYLE B (CLASS B) INITIATING DEVICE CIRCUIT FOR MONITORING N/O CONTACT DEVICES DOES NOT INCLUDE A POLLING LED			
10	0	10	EA		FLT-ANN-80	EA	323.00000	3,230.00
				1.0	80 CHAR LCD SERIAL ANNUNCIATOR RED 80 CHAR LCD SERIAL ANNUNCIATOR RED			
11	0	11	EA		FLT-ES-1000X	EA	1,512.00000	16,632.00
				1.0	954-PT ADDRESSABLE FIRE ALARM CONTROL 954-PT ADDRESSABLE FIRE ALARM CONTROL PANEL WITH IP/POTS COMM (318-PTS PER SLC WITH SUPPORT FOR UP TO 3 SLC LOOPS)			

Total Lines: 11

SUB-TOTAL: 121,554.00
TAX: 0.00
AMOUNT DUE: 121,554.00
 U.S. Dollars

BRAD THORN

From: BRUHL, SAGE <sage.bruhl@honeywell.com>
Sent: Thursday, September 19, 2024 4:17 PM
To: BRAD THORN
Subject: RE: [External] bha registration

See available ESTIMATED Timeline for delivery an order placed today for the following quantity and skus:

- ITEM #1: 480 Fire-Lite SD365-IV Addressable Photoelectric Smoke Detector (or Equivalent)
Estimated availability based on an order placed today for desired quantity: **In Stock, Available to Ship**
- ITEM #2: 60 Fire-Lite SD365 Addressable Plug-in Photoelectric Smoke Detector (or Equivalent)
Estimated availability based on an order placed today for desired quantity: **In Stock, Available to Ship**
- ITEM #3: 20 Fire-Lite H365 Addressable Heat Detector (or Equivalent)
Estimated availability based on an order placed today for desired quantity: **In Stock, Available to Ship**
- ITEM #4: 70 Fire-Lite H365-IV Addressable Heat Detector (or Equivalent)
Estimated availability based on an order placed today for desired quantity: **October 9th**
- ITEM #5: 105 Fire-Lite BG-12LX Dual Action Addressable Pull Station (or Equivalent)
Estimated availability based on an order placed today for desired quantity: **In Stock, Available to Ship**
- ITEM #6: 14 System Sensor SS-CO Addressable CO Detector (or Equivalent)
Estimated availability based on an order placed today for desired quantity: **October 24th** (This one seems a little long to me... I couldn't see it being this long in my honest opinion. We are making these regularly.)
- ITEM #7: 41 Fire-Lite CRF-300 2-Form Relays (or Equivalent)
Estimated availability based on an order placed today for desired quantity: **In Stock, Available to Ship**
- ITEM #8: 25 Fire-Lite CMF-300 Intelligent Addressable Control Module (or Equivalent)
Estimated availability based on an order placed today for desired quantity: **October 2nd**
- ITEM #9: 15 Fire-Lite MMF-301 Addressable Mini-Monitor Module (or Equivalent)
Estimated availability based on an order placed today for desired quantity: **October 1st**
- ITEM #10: 10 Fire-Lite ANN-80 80-Character Serial LCD Annunciator (or Equivalent)
Estimated availability based on an order placed today for desired quantity: **September 26th**
- ITEM #11: 11 Fire-Lite ES-1000X Fire Alarm Control Panel (or Equivalent)
Available Quantity: 0 - Available To Ship Date: 19-SEP-2024
Available Quantity: 4 - Available To Ship Date: 27-SEP-2024
Available Quantity: 7 - Available To Ship Date: 30-SEP-2024

Fire-Lite
Sage Bruhl
Fire-Lite Sales Manager, NJ, NY Metro Area, Eastern PA, DE
Honeywell Building
10000
sage.bruhl@honeywell.com

HELPFUL LINKS:

CUSTOMER SERVICE

PO Inquiries send email: Fire.custserv.us@honeywell.com



OWNERSHIP DISCLOSURE FORM

STATE OF NEW JERSEY
DEPARTMENT OF THE TREASURY - DIVISION OF PURCHASE AND PROPERTY
33 WEST STATE STREET, P.O. BOX 230 TRENTON, NEW JERSEY 08625-0230

VENDOR NAME: AlarMax Distributors, Inc.

PURSUANT TO N.J.S.A. 52:25-24.2, ALL PARTIES ENTERING INTO A CONTRACT WITH THE STATE ARE REQUIRED TO PROVIDE A STATEMENT OF OWNERSHIP.
Please answer all questions and complete the information requested.

- | | | |
|--|-------------------------------------|-------------------------------------|
| | YES | NO |
| 1. The vendor is a Non-Profit Entity ; and therefore, no disclosure is necessary. | <input type="checkbox"/> | <input checked="" type="checkbox"/> |
| 2. The vendor is a Sole Proprietor ; and therefore, no other disclosure is necessary.
A Sole Proprietor is a person who owns an unincorporated business by himself or her-self.
A limited liability company with a single member is not a Sole Proprietor. | <input type="checkbox"/> | <input checked="" type="checkbox"/> |
| 3. The vendor is a corporation, partnership, or limited liability company with individuals, partners, members, stockholders, corporations, partnerships, or limited liability companies owning a 10% or greater interest; and therefore, disclosure is necessary. | <input checked="" type="checkbox"/> | <input type="checkbox"/> |

If you answered **YES** to Question 3, you must disclose the information requested in the space below:*

- (a) the names and addresses of all stockholders in the corporation who own 10% or more of its stock, of any class;
- (b) all individual partners in the partnership who own a 10% or greater interest therein; or,
- (c) all members in the limited liability company who own a 10% or greater interest therein.

NAME	<u>William A. Teitelbaum</u>		
ADDRESS	<u>381 Mansfield Ave</u>		
ADDRESS	<u>Ste 205</u>		
CITY	<u>Pittsburgh</u>	STATE	<u>PA</u>
			ZIP <u>15220</u>

NAME	<u>Estate of Roger A. Giat, Deceased (Diana M. Giat, Executor)</u>		
ADDRESS	<u>381 Mansfield Ave</u>		
ADDRESS	<u>Ste 205</u>		
CITY	<u>Pittsburgh</u>	STATE	<u>PA</u>
			ZIP <u>15220</u>

NAME	<u>Campanian Admin. Services LLC Francis B. Hirtle</u>		
ADDRESS	<u>381 Mansfield Ave</u>		
ADDRESS	<u>Ste 205</u>		
CITY	<u>Pittsburgh</u>	STATE	<u>PA</u>
			ZIP <u>15220</u>

NAME	<u>David H. & Cora M. Trushel</u>		
ADDRESS	<u>381 Mansfield Ave</u>		
ADDRESS	<u>Ste 205</u>		
CITY	<u>Pittsburgh</u>	STATE	<u>PA</u>
			ZIP <u>15220</u>

Gary A. Giat
381 Mansfield Ave Ste 205
Pittsburgh, PA 15220

- | | | |
|---|--------------------------|-------------------------------------|
| | YES | NO |
| 4. For each of the corporations, partnerships, or limited liability companies identified in response to Question #3 above, are there any individuals, partners, members, stockholders, corporations, partnerships, or limited liability companies owning a 10% or greater interest of those listed business entities? | <input type="checkbox"/> | <input checked="" type="checkbox"/> |

If you answered **YES** to Question 4, you must disclose the information requested in the space below:*

- (a) the names and addresses of all stockholders in the corporation who own 10% or more of its stock, of any class;
- (b) all individual partners in the partnership who own a 10% or greater interest therein; or,
- (c) all members in the limited liability company who own a 10% or greater interest therein. The disclosure(s) shall be continued until the names and addresses of every non-corporate stockholder, individual partner, and/or member a 10% or greater interest has been identified.

NAME			
ADDRESS			
ADDRESS			
CITY		STATE	
			ZIP

NAME			
ADDRESS			
ADDRESS			
CITY		STATE	
			ZIP

NAME			
ADDRESS			
ADDRESS			
CITY		STATE	
			ZIP

NAME			
ADDRESS			
ADDRESS			
CITY		STATE	
			ZIP

5. As an alternative to completing this form, a Vendor with any direct or indirect parent entity which is publicly traded, may submit the name and address of each publicly traded entity and the name and address of each person that holds a 10% or greater beneficial interest in the publicly traded entity as of the last annual filing with the federal Securities and Exchange Commission or the foreign equivalent, and, if there is any person that holds a 10% or greater beneficial interest, also shall submit links to the websites containing the last annual filings with the federal Securities and Exchange Commission or the foreign equivalent and the relevant page numbers of the filings that contain the information on each person that holds a 10% or greater beneficial interest.*

* Attach additional sheets if necessary



Statement of Affirmative Action Policy

It is the policy of AlarMax Distributors Inc. to provide equal employment opportunities without regard to race, color, religion, sex, national origin, age, disability, marital status, veteran status, sexual orientation, genetic information or any other protected characteristic under applicable law. This policy relates to all phases of employment, including, but not limited to, recruiting, employment, placement, promotion, transfer, demotion, reduction of workforce and termination, rates of pay or other forms of compensation, selection for training, the use of all facilities, and participation in all company-sponsored employee activities. Provisions in applicable laws providing for bona fide occupational qualifications, business necessity or age limitations will be adhered to by the company where appropriate.

As part of the company's equal employment opportunity policy, AlarMax Distributors Inc. will also take affirmative action as called for by applicable laws to ensure that minority group individuals, females, disabled veterans, recently separated veterans, other protected veterans, Armed Forces service medal veterans, and qualified disabled persons are introduced into our workforce and considered for promotional opportunities.

Employees and applicants shall not be subjected to harassment, intimidation or any type of retaliation because they have (1) filed a complaint; (2) assisted or participated in an investigation, compliance review, hearing or any other activity related to the administration of any federal, state or local law requiring equal employment opportunity; (3) opposed any act or practice made unlawful by any federal, state or local law requiring equal opportunity; or (4) exercised any other legal right protected by federal, state or local law requiring equal opportunity.

The above-mentioned policies shall be periodically brought to the attention of management and shall be appropriately administered. It is the responsibility of the company to ensure affirmative implementation of these policies to avoid any discrimination in employment. All employees are expected to recognize these policies and cooperate with their implementation. Violation of these policies is a disciplinary offense.

CMF-300(A)

Control Module



Addressable Devices

General

The **CMF-300(A)** Addressable Control Module provides Fire-Lite intelligent control panels a circuit for Notification Appliances (horns, strobes, etc.). Addressability allows the CMF-300(A) to be activated through panel programming, on a select (zone or area of coverage) basis.

LiteSpeed™ is a communication protocol developed by Fire-Lite Engineering that greatly enhances the speed of communication between analog intelligent devices. Intelligent devices communicate in a grouped fashion. If one of the devices within the group has new information, the panel CPU stops the group poll and concentrates on single points. The net effect is response speed greater than five times that of other designs.

Features

- Built-in type identification automatically identifies these devices to the control panel.
- Internal circuitry powered directly by two-wire SLC loop. The CMF-300(A) module requires power (for horns, strobes, etc.).
- Integral LED “blinks” green each time a communication is received from the control panel and turns on steady red when activated.
- High noise immunity (EMF/RFI).
- The CMF-300(A) may be used to switch 24-volt NAC power.
- Wide viewing angle of LED.
- SEMS screws with clamping plates for wiring ease.
- Direct-dial entry of address: 01– 159 for MS-9600 series panels, 01 – 99 on MS-9200UDLS and MS-9050UD.

Applications

The CMF-300(A) is used to switch 24 VDC audible/visual power.

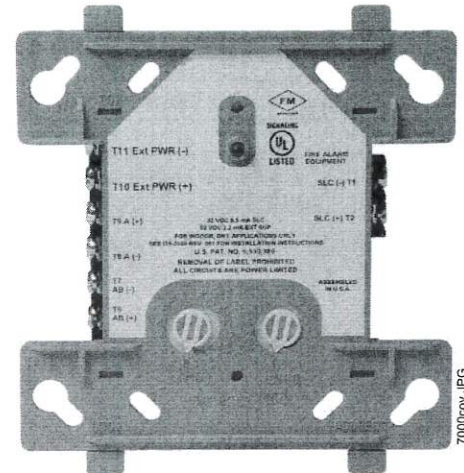
Construction

- The face plate is made of off-white heat-resistant plastic.
- Controls include two rotary switches for direct-dial entry of address setting.
- The CMF-300(A) is configured for a single Class B (Style Y) or Class A (Style Z) Notification Appliance Circuit.

Operation

Each CMF-300(A) uses one of the module addresses on a SLC loop. It responds to regular polls from the control panel and reports its type and status, including the open/normal/short status of its Notification Appliance Circuit (NAC). The LED blinks with each poll received. On command, it activates its internal relay. The CMF-300(A) supervises Class B (Style Y) or Class A (Style Z) notification or control circuits.

Upon code command from the panel, the CMF-300(A) will disconnect the supervision and connect the external power supply in the proper polarity across the load device. The disconnection of the supervision provides a positive indication to the panel that the control relay actually turned ON. The



CMF-300(A)

external power supply is always relay-isolated from the communication loop so that a trouble condition on the external power supply will never interfere with the rest of the system.

Rotary switches set a unique address for each module. The address may be set before or after mounting. The built-in TYPE CODE (not settable) will identify the module to the control panel, so as to differentiate between a module and a sensor address.

Specifications

Normal operating voltage: 15 to 32 VDC.

Maximum SLC current draw: 6.5 mA (LED on).

Average operating current: 350 μ A direct poll (CLIP mode), 375 μ A group poll (LiteSpeed mode) with LED flashing.

External supply voltage: maximum 80 volts (RMS or DC).

Drain on external supply: 2 mA maximum (using internal EOL relay).

EOL resistance: 47K ohms.

Temperature range: 32°F to 120°F (0°C to 49°C).

Humidity range: 10% to 93% non-condensing.

Dimensions: 4.5" (11.43 cm) high x 4" (10.16 cm) wide x 1.25" (3.175 cm) deep. Mounts to a 4" (10.16 cm) square x 2.125" (5.398 cm) deep box.

Agency Listings and Approvals

In some cases, certain modules may not be listed by certain approval agencies, or listing may be in process. Consult factory for latest listing status.

- **ULC:** S2424

Product Line Information

CMF-300: Intelligent addressable control module.

CMF-300A: Canadian intelligent addressable control module.

SMB500: Optional surface-mount backbox.

CB500: Optional control module barrier, required by UL for separating power-limited and non-power-limited wiring in the same junction box as CMF-300(A).

NOTE: For installation instructions, see document I56-1189-009 and refer to the SLC Wiring Manual, document 51309. The CRF-300(A) relay module, previously on this data sheet, is now on DF-60379.

LiteSpeed™ is a trademark and Fire•Lite® Alarms is a registered trademark of Honeywell International Inc.
©2010 by Honeywell International Inc. All rights reserved. Unauthorized use of this document is strictly prohibited.

ISO 9001
CERTIFIED
ENGINEERING & MANUFACTURING
QUALITY SYSTEMS

This document is not intended to be used for installation purposes.
We try to keep our product information up-to-date and accurate.
We cannot cover all specific applications or anticipate all requirements.
All specifications are subject to change without notice.



Made in the U. S. A.

For more information, contact Fire•Lite Alarms. Phone: (800) 627-3473, FAX: (877) 699-4105.
www.firelite.com

SD365 Series

Addressable Photoelectric Smoke Detectors



Addressable Devices

The Fire•Lite® Alarms SD365(A), SD365R(A), and SD365HT(A) intelligent plug-in smoke detectors are designed for both performance and aesthetics, and are direct replacements for the SD355 Series. A new modern, sleek, contemporary design and enhanced optical sensing chamber is engineered to sense smoke produced by a wide range of combustion sources in accordance with more stringent code standards.

Exclusively for use with Fire•Lite's addressable fire alarm control panels, the SD365(A) Series point ID capability allows each detector's address to be set with rotary, decimal address switches, providing exact detector location for emergency personnel to quickly locate a fire during its early stages, potentially saving precious rescue time while also reducing property damage. Two LEDs on each sensor light to provide a local, visible sensor indication.

The SD365(A) Series also offers 135°F (57°C) fixed temperature thermal sensing on the SD365T(A) and a remote test capable detector on the SD365R(A) for use with DNR(A)/DNRW duct smoke detector housings.

Features

SLC LOOP:

- Two-wire SLC loop connection
- Unit uses base for wiring
- Compatible with LiteSpeed™ and CLIP protocol systems
- Stable communication technique with noise immunity

ADDRESSING:

- Addressable by device
- Rotary, decimal addressing
(Refer to the *Fire•Lite panel manuals* for device capacity.)

ARCHITECTURE:

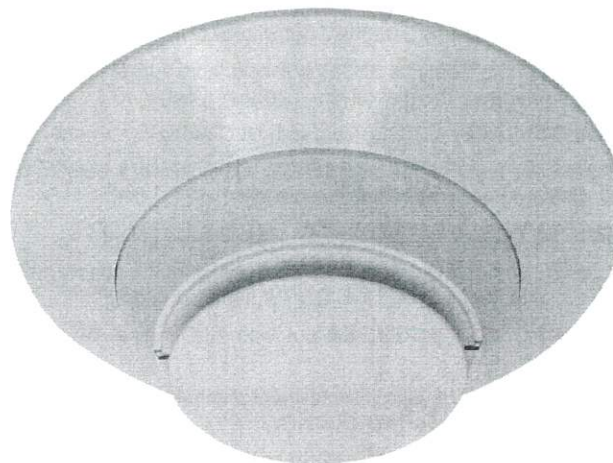
- Sleek, low-profile, stylish design
- Unique single-source design to respond quickly and dependably to a broad range of fires
- Integral communications and built-in device-type identification
- Built-in tamper resistant feature
- Remote test feature from the panel
- Walk test with address display (an address on 121 will blink the detector LED: 12-[pause]-1 (*LiteSpeed systems only*))
- Built-in functional test switch activated by external magnet
- Removable cover and insect-resistant screen for simple field cleaning
- Expanded color options

OPERATION:

- Designed to meet UL 268 7th Edition
- Factory preset at 1.5% nominal sensitivity for panel alarm threshold level
- LED "blinks" when the unit is polled (communicating with the fire panel) and latches in alarm.
- Low standby current

MECHANICALS:

- Sealed against back pressure
- SEMS screws for wiring of the separate base
- Designed for direct-surface or electrical-box mounting



- Plugs into separate base for ease of installation and maintenance
- Separate base allows interchange of photoelectric, ionization and thermal sensors

OPTIONS:

- Optional relay, isolator, and sounder bases

Installation

SD365 Series plug-in intelligent smoke detectors use a detachable base to simplify installation, service and maintenance. Installation instructions are shipped with each detector.

Mount detector base (all base types) on an electrical backbox which is at least 1.5" (3.81 cm) deep. For a chart of compatible junction boxes, see *DF-60059*.

NOTE: Because of the inherent supervision provided by the SLC loop, end-of-line resistors are not required. Wiring "T-taps" or branches are permitted for Class "B" wiring only.

When using relay or sounder bases, consult the *I300(A) installation sheet I56-3626* for device limitations between isolator modules and isolator bases.

Construction

These detectors are constructed of fire-resistant plastic. The SD365 Series plug-in intelligent smoke detectors are designed to commercial standards and offer an attractive appearance.

Operation

Each SD365 Series detector uses one of the panel's addresses (total limit is panel dependent) on the Fire•Lite Signaling Line Circuit (SLC). It responds to regular polls from the control panel and reports its type and the status. If it receives a test command from the panel (or a local magnet test), it stimulates its electronics and reports an alarm. It blinks its LEDs when polled and turns the LEDs on when commanded by the panel. The SD365 Series offers features and performance that represent the latest in smoke detector technology.

Detector Sensitivity Test

Each detector can have its sensitivity tested (required per NFPA 72, Chapter 14 on *Inspection, Testing and Maintenance*) when installed/connected to an Fire•Lite addressable fire alarm control panel. The results of the sensitivity test can be printed for record keeping.

Product Line Information

NOTE: “-IV” suffix indicates CLIP and LiteSpeed device.

NOTE: “A” suffix indicates Canadian version.

SD365: White, low-profile intelligent photoelectric sensor, LiteSpeed only

SD365A: Same as SD365 but with ULC listing

SD365-IV: Ivory, low-profile intelligent photoelectric sensor

SD365A-IV: Same as SD365-IV but with ULC listing

SD365T: White, same as **SD365** but includes a built-in 135°F (57°C) fixed-temperature thermal device, LiteSpeed only

SD365TA: Same as SD365T but with ULC listing

SD365T-IV: Ivory, same as SD365T but includes a built-in 135°F (57°C) fixed-temperature thermal device

SD365TA-IV: Same as SD365T-IV but with ULC listing

SD365R: White, low-profile intelligent photoelectric sensor, remote test capable, for use with DNR/DNRW, LiteSpeed only

SD365RA: Same as SD365R but with ULC listing, for use with DNRA

SD365R-IV: Ivory, low-profile intelligent photoelectric sensor, remote test capable, for use with DNR/DNRW

SD365RA-IV: Same as SD365R-IV but with ULC listing, for use with DNRA

INTELLIGENT BASES

NOTE: For details on intelligent bases, see DF-60059.

B300-6: White, 6” base, standard flanged low-profile mounting base (CSFM: 7300-1653:0109)

B300-6-IV: Ivory, 6” base, standard flanged low-profile mounting base (CSFM: 7300-1653:0109)

B300A-6: Same as B300-6, ULC listed

B300A-6-IV: Ivory, 6” standard flanged low-profile mounting base, ULC listed

B300-6-BP: Bulk pack of B300-6, package contains 10

B501-WHITE: White, 4” standard European flangeless mounting base. UL/ULC listed (CSFM: 7300-1653:0109)

B501-BL: Black, 4” standard European flangeless mounting base. UL/ULC listed (CSFM: 7300-1653:0109)

B501-IV: Ivory color, 4” standard European flangeless mounting base. UL/ULC listed (CSFM: 7300-1653:0109)

B501-WHITE-BP: Bulk pack of B501-WHITE contains 10

B224RB-WH: White, relay base (CSFM: 7300-1653:0216)

B224RB-IV: Ivory, relay base (CSFM: 7300-1653:0216)

B224RBA-WH: White, relay base, ULC listing

B224RBA-IV: Ivory, relay base, ULC listing

B224BI-WH: White, isolator detector base (CSFM: 7300-1653:0216)

B224BI-IV: Ivory isolator detector base (CSFM: 7300-1653:0216)

B224BIA-WH: White, isolator detector base, ULC listing

B224BIA-IV: Ivory isolator detector base, ULC listing

B200S-WH: White, Intelligent addressable sounder base capable of producing sound output in high or low volume with ANSI Temporal 3, ANSI Temporal 4, continuous tone, marching tone, and custom tone. Uses LiteSpeed protocol. (CSFM: 7300-1653:0213)

B200S-IV: Ivory, Intelligent addressable sounder base capable of producing sound output in high or low volume with ANSI Temporal 3, ANSI Temporal 4, continuous tone, marching tone, and custom tone. Uses LiteSpeed protocol. (CSFM: 7300-1653:0213)

B200SA-WH: Same as B200S-WH, ULC listing

B200SA-IV: Same as B200S-IV, ULC listing

B200SCOA-WH: White, Intelligent, programmable sounder base in English/French (required in Canada for ULC applications with CO Series detector applications)

B200SCOA-IV: Ivory Intelligent, programmable sounder base in English/French (required in Canada for ULC applications with CO Series detector applications, ULC listing)

B200S-LF-WH: White, Low Frequency Intelligent, programmable sounder base. Produces a fundamental frequency of 520 Hz +/- 10% with a square wave or its equivalent; designed to meet the NFPA 72 sleeping space requirement. (CSFM: 7300-1653:0238)

B200S-LF-IV: Ivory, Low Frequency Intelligent, programmable sounder base. Produces a fundamental frequency of 520 Hz +/- 10% with a square wave or its equivalent; designed to meet the NFPA 72 sleeping space requirement. (CSFM: 7300-1653:0238)

B200SR-WH: White, Intelligent sounder base capable of producing sound output with ANSI Temporal 3 or continuous tone. Intended for retrofit applications. (CSFM: 7300-1653:0213)

B200SR-IV: Ivory, Intelligent sounder base capable of producing sound output with ANSI Temporal 3 or continuous tone. Intended for retrofit applications. (CSFM: 7300-1653:0213)

B200SRA-WH: Same as B200SR-WH with, ULC listing

B200SRA-IV: Same as B200SR-IV in Ivory color, ULC listing

B200SR-LF-WH: White, Low Frequency Intelligent, programmable sounder base. Produces a fundamental frequency of 520 Hz +/- 10% with a square wave or its equivalent; designed to meet the NFPA 72 sleeping space requirement. Intended for retrofit applications. (CSFM: 7300-1653:0238)

B200SR-LF-IV: Ivory, Low Frequency Intelligent, programmable sounder base. Produces a fundamental frequency of 520 Hz +/- 10% with a square wave or its equivalent; designed to meet the NFPA 72 sleeping space requirement. Intended for retrofit applications. (CSFM: 7300-1653:0238)

MOUNTING KITS AND ACCESSORIES

TR300: White, replacement flange for B210LP(A) base

TR300-IV: Ivory, replacement flange for B210LP(A) base

RA100Z(A): Remote LED annunciator. 3-32 VDC. Mounts to a U.S. single-gang electrical box. For use with B501(A) and B300-6(A).

M02-04-00: Test magnet

M02-09-00: Test magnet with telescoping handle

CK300: Color Kit (includes cover and trim ring), white, 10-pack

CK300-IV: Color Kit (includes cover and trim ring), ivory, 10-pack

CK300-BL: Color Kit (includes cover and trim ring), black, 10-pack

SYSTEM SPECIFICATIONS

Sensitivity:

- UL Applications: 0.5% to 4.0% per foot obscuration.
- ULC Applications: 0.5% to 3.5% per foot obscuration

Size: 2.0" (51mm) high; base determines diameter

- **B300-6:** 6.1" (15.6 cm) diameter
- **B501:** 4" (10.2 cm) diameter

For a complete list of detector bases see DF-60983

Shipping weight: 3.4 oz. (95 g)

Operating temperature range:

- SD365: 32°F to 122°F (0°C to 50°C)
- SD365T Series: 32°F to 100°F (0°C to 38°C)
- SD365R Series installed in a DNR/DNRW, -4°F to 158°F (-20°C to 70°C)

UL/ULC Listed Velocity Range: 0-4000 ft/min. (1219.2 m/min.), suitable for installation in ducts

Relative humidity: 10% – 93% non-condensing

Thermal ratings: fixed-temperature set point 135°F (57°C), rate-of-rise detection 15°F (8.3°C) per minute, high temperature heat 190°F (88°C)

ELECTRICAL SPECIFICATIONS

Voltage range: 15 - 32 volts DC peak

Standby current (max. avg.): 200µA @ 24 VDC (one communication every 5 seconds with LED enabled)

Max current: 4.5 mA @ 24 VDC ("ON")

DETECTOR SPACING AND APPLICATIONS

Fire•Lite recommends spacing detectors in compliance with NFPA 72. In low airflow applications with smooth ceiling, space detectors 30 feet (9.1m). For specific information regarding detector spacing, placement, and special applications refer to NFPA 72. A *System Smoke Detector Application Guide*, document SPAG91, is available at www.systemsensor.com.

Listings and Approvals

Listings and approvals below apply to the SD365 Series detectors. In some cases, certain modules may not be listed by certain approval agencies, or listing may be in process. Consult factory for latest listing status.

- UL/ULC Listing: S1059
- FM Approved
- CSFM: 7272-0075:0502

LiteSpeed™ is a trademark, and Fire•Lite® Alarms and System Sensor® are registered trademarks of Honeywell International Inc.
©2020 by Honeywell International Inc. All rights reserved. Unauthorized use of this document is strictly prohibited.



This document is not intended to be used for installation purposes.
We try to keep our product information up-to-date and accurate.
We cannot cover all specific applications or anticipate all requirements.
All specifications are subject to change without notice.

For more information, contact Fire•Lite Alarms. Phone: (800) 627-3473, FAX:(877) 699-4105.
www.firelite.com

Country of Origin: Mexico

BG-12LX

Addressable Manual Pull Station



Addressable Devices

General

The Fire-Lite BG-12LX is a state-of-the-art, dual-action (i.e., requires two motions to activate the station) pull station that includes an addressable interface (mounted inside) for Fire-Lite's addressable fire alarm control panels (FACPs). Because the BG-12LX is addressable, the control panel can display the exact location of the activated manual station. This leads fire personnel quickly to the location of the alarm.

Features

- Maintenance personnel can open station for inspection and address setting without causing an alarm condition.
- Built-in bicolor LED, which is visible through the handle of the station, flashes in normal operation and latches steady red when in alarm.
- Handle latches in down position and the word "ACTIVATED" appears to clearly indicate the station has been operated.
- Captive screw terminals wire-ready for easy connection to SLC loop (accepts up to 12 AWG/3.25 mm² wire).
- Can be surface mounted (with SB-10 or SB-I/O) or semi-flush mounted. Semi-flush mount to a standard single-gang, double-gang, or 4" (10.16 cm) square electrical box.
- Smooth dual-action design.
- Meets ADAAG controls and operating mechanisms guidelines (Section 4.1.3[13]); meets ADA requirement for 5 lb. maximum activation force.
- Highly visible.
- Attractive shape and textured finish.
- Key reset.
- Includes Braille text on station handle.
- Optional trim ring (BG12TR).
- Meets UL 38, Standard for Manually Actuated Signaling Boxes.

Construction

Shell, door, and handle are molded of durable polycarbonate material with a textured finish.

Specifications

- **Shipping Weight:** 9.6 oz. (272.15 g)
- **Normal operating voltage:** 24 VDC.
- **Maximum SLC loop voltage:** 28.0 VDC.
- **Maximum SLC standby current:** 375 μ A.
- **Maximum SLC alarm current:** 5 mA.
- **Temperature Range:** 32°F to 120°F (0°C to 49°C)
- **Relative Humidity:** 10% to 93% (noncondensing)
- **For use indoors in a dry location**

Installation

The BG-12LX will mount semi-flush into a single-gang, double-gang, or standard 4" (10.16 cm) square electrical outlet box, or will surface mount to the model SB-10 or SB-I/O surface backbox. If the BG-12LX is being semi-flush mounted, then the optional trim ring (BG12TR) may be used. The BG12TR is



FLPullStation.jpg

usually needed for semi-flush mounting with 4" (10.16 cm) or double-gang boxes (not with single-gang boxes).

Operation

Pushing in, then pulling down on the handle causes it to latch in the down/activated position. Once latched, the word "ACTIVATED" (in bright yellow) appears at the top of the handle, while a portion of the handle protrudes from the bottom of the station. To reset the station, simply unlock the station with the key and pull the door open. This action resets the handle; closing the door automatically resets the switch.

Each manual station, on command from the control panel, sends data to the panel representing the state of the manual switch. Two rotary decimal switches allow address settings (1 – 159 with Breakaway Tab removed for MS-9600 Series, 1 – 99 and MS-9200UDLS, 1 – 50 for MS-9050UD).

Architectural/Engineering Specifications

Manual Fire Alarm Stations shall be non-coded, with a key-operated reset lock in order that they may be tested, and so designed that after actual Emergency Operation, they cannot be restored to normal except by use of a key. An operated station shall automatically condition itself so as to be visually detected as activated. Manual stations shall be constructed of red-colored polycarbonate material with clearly visible operating instructions provided on the cover. The word FIRE shall appear on the front of the stations in white letters, 1.00 inches (2.54 cm) or larger. Stations shall be suitable for surface mounting on matching backbox SB-10 or SB-I/O; or semi-flush mounting on a standard single-gang, double-gang, or 4" (10.16 cm) square electrical box, and shall be installed

within the limits defined by the Americans with Disabilities Act (ADA) or per national/local requirements. Manual Stations shall be Underwriters Laboratories listed.

Manual stations shall connect with two wires to one of the control panel SLC loops. The manual station shall, on command from the control panel, send data to the panel representing the state of the manual switch. Manual stations shall provide address setting by use of rotary decimal switches.

Product Line Information

BG-12LX: Dual-action addressable pull station. Includes key locking feature. (Listed for Canadian and non-Canadian applications.)

SB-10: Surface backbox; metal.

SB-I/O: Surface backbox; plastic.

BG12TR: Optional trim ring.

17003: Keys, set of two.

Agency Listings and Approvals

In some cases, certain modules or applications may not be listed by certain approval agencies, or listing may be in process. Consult factory for latest listing status.

- **UL/ULC Listed:** S711 (listed for Canadian and non-Canadian applications).
- **MEA:** 67-02-E.
- **CSFM:** 7150-0075:0184.
- **FM Approved.**

Patented: U.S. Patent No. D428,351; 6,380,846; 6,314,772; 6,632,108.

FireLite® Alarms® is a registered trademark of Honeywell International Inc. ©2012 by Honeywell International Inc. All rights reserved. Unauthorized use of this document is strictly prohibited.



This document is not intended to be used for installation purposes.
We try to keep our product information up-to-date and accurate.
We cannot cover all specific applications or anticipate all requirements.
All specifications are subject to change without notice.



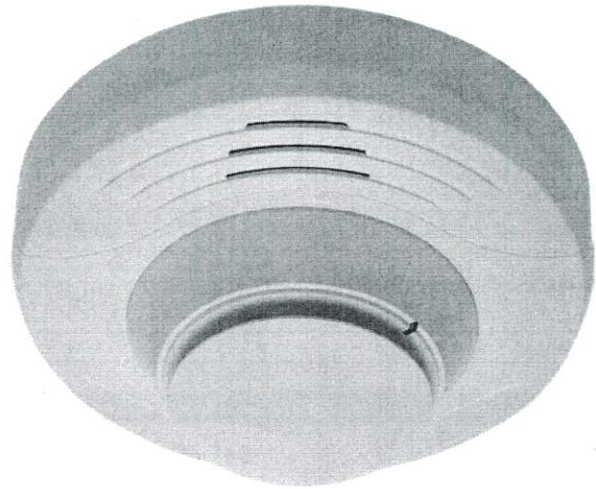
Made in the U.S. A.

For more information, contact Fire•Lite Alarms. Phone: (800) 627-3473, FAX: (877) 699-4105.
www.firelite.com



SS-Series Addressable CO Detector

Addressable carbon monoxide (CO) detection with integral communication to provide point location for alarm communication and selective maintenance.



SS-CO installed in B200S-WH sounder base

Features

- Intelligent CO detector
- Automatic drift compensation of CO cell
- RealTest® CO testing capability
- UL 2075 listed
- Audible signal for CO alarm when used with a B200S series base
- 10-year CO cell with end-of-life warning and fault
- New modern profile
- Expanded color options

SS-Series detectors are intelligent (addressable) detectors with point ID capability that enables each detector address to be set with rotary address switches providing exact device locations. SS-Series detectors support current SK, LiteSpeed™ and SS Protocol systems. Refer to the Addressable Detector and Sounder Base Compatibility Chart or the Intelligent Control Panel SLC Wiring Manual for specific panel compatibility. The modern design and expanded color options support contemporary aesthetic demands. In addition, each detector is constructed for exceptional installation and maintenance efficiency.

The System Sensor SS-CO is an intelligent, addressable detector incorporating carbon monoxide (CO) detection principles that meet the UL 2075 standard for system-connected life safety carbon monoxide detection. As an addressable detector, additional modules are not needed for point ID which streamlines the installation process. This allows you to upgrade your addressable fire system to meet new CO code requirements in applications with fuel burning equipment such as furnace areas and laundry rooms.

Released through the incomplete burning of various fuels, CO is a colorless, odorless and deadly gas that is virtually impossible to detect with the human senses. Because the potential exists for dangerous levels of CO to accumulate in almost any building, legislation mandating the use of CO detection in commercial spaces continues to grow.

SS-CO is recommended for use in conjunction with the B200S series intelligent sounder bases, which can generate a Temp 4 pattern for CO alarm indication. The B200S series bases recognize the System Sensor synchronization protocol.

Agency Listings

SIGNALING



5278-1653 9527

SS-Series CO Detector Specifications

Physical Specifications	
Height	2.7" (69 mm) installed in B200S series sounder base
Diameter	6.875" (175 mm) installed in B200S series sounder bases
Weight	3.4 oz. (95 g)
Color	White
Operating Humidity Range	15% to 90% Relative Humidity, Non-condensing
Operating Temperature Range	32°F to 122°F (0°C to 50°C)
Electrical Specifications	
Operating Voltage Range	15 to 32 VDC
Operating Current @ 24 VDC:	200 uA (one communication every 5 seconds with green LED blink on communication)
Maximum Alarm Current:	2 mA @ 24 VDC (one communication every 5 seconds with red LED solid on)
Maximum Current:	4.5 mA @ 24 VDC (one communication every 5 seconds with amber LED solid on)
Isolator Load Rating:	0.0063

CO Monitoring UL Standard Reference – Alarm Thresholds are as Follows:	
Parts Per Million	Detector Response Time
70 ± 5ppm	60 – 240 min.
150 ± 5ppm	10 – 50 min.
400 ± 10ppm	4 – 15 min.

Per UL standard 2075, the SS-CO has been tested to the sensitivity limits defined in UL standard 2034.

Ordering Information

Part No.			Description
White	Ivory	Black	
SS-CO	—	—	CO Detector
Bases			
B501-WHITE	B501-IV	B501-BL	4" Mounting base
B501-WHITE-BP	—	—	4" mounting base, bulk pack
B300-6	B300-6-IV	—	6" Flanged mounting base
B300-6-BP	—	—	6" Flanged mounting base, bulk pack
B200S-WH	B200S-IV	—	Intelligent addressable sounder base
B200S-LF-WH	B200S-LF-IV	—	Intelligent addressable sounder base, low-frequency
B224BI-WH	B224BI-IV	—	Isolator base
B224RB-WH	B224RB-IV	—	Relay base
Accessories			
—	SMB600	—	Surface Mounting Kit (flanged)
TR300	TR300-IV	—	Trim ring
CK300-CO	CK300-CO-IV	CK300-CO-BL	CO Color Kit (includes cover and trim ring)
—	RA100Z	—	Remote LED annunciator
M02-04-00	—	—	Detector test magnet
M02-09-00	—	—	Telescoping test magnet

Accessories

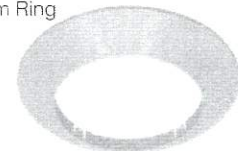
RA100Z
Remote LED
Annunciator



CK300-CO-BL
Color Kit



TR300
Trim Ring



System Sensor™ and RealTest™ are registered trademarks of and LiteSpeed™ is a trademark of Honeywell International, Inc.



3825 Ohio Avenue • St. Charles, IL 60174
Phone: 800-SENSOR2 • Fax: 630-377-6495

©2024 System Sensor
Product specifications subject to change without notice. Visit systemsensor.com for current product information, including the latest version of this data sheet.
SPDS-62169 Rev. B • 5/7/2024

CRF-300(A)

Relay Module



Addressable Devices

General

The **CRF-300(A)** Addressable Relay Module provides the system with a dry-contact output for activating a variety of auxiliary devices, such as fans, door holders, dampers, control equipment, etc. Addressability allows the dry contact to be activated through panel programming, on a select basis.

LiteSpeed™ is a communication protocol developed by Fire-Lite Engineering that greatly enhances the speed of communication between analog intelligent devices. Intelligent devices communicate in a grouped fashion. If one of the devices within the group has new information, the panel CPU stops the group poll and concentrates on single points. The net effect is response speed greater than five times that of other designs.

Features

- Built-in type identification automatically identifies these devices to the control panel.
- Internal circuitry and relay powered directly by two-wire SLC loop.
- Integral LED “blinks” green each time a communication is received from the control panel and turns on in steady red when activated.
- High noise immunity (EMF/RFI).
- Wide viewing angle of LED.
- SEMS screws with clamping plates for wiring ease.
- Direct-dial entry of address: 01–159 for MS-9600(A) series panels, 01–99 on MS-9200UDLS(A) and MS-9050UD(A).

Applications

The CRF-300(A) may be programmed to operate dry contacts for door holders, Air Handling Unit shutdown, etc., and to reset four-wire smoke detector power.

Construction

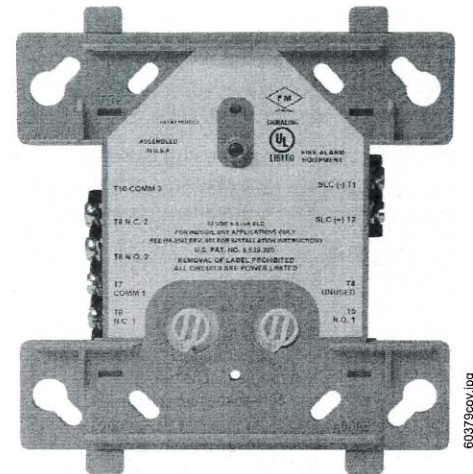
- The face plate is made of off-white heat-resistant plastic.
- Controls include two rotary switches for direct-dial entry of address setting.
- The CRF-300(A) is configured for a single Class B (Style Y) or Class A (Style Z) Notification Appliance Circuit.
- The CRF-300(A) provides two Form-C dry contacts that switch together.

Operation

Each CRF-300(A) uses one of the addresses on a SLC loop. It responds to regular polls from the control panel and reports its type and status, including the open/normal/short status of its Notification Appliance Circuit (NAC). The LED blinks with each poll received. On command, it activates its internal relay.

NOTE: Open/short supervision is suspended with the CRF-300.

Rotary switches set a unique address for each module. The address may be set before or after mounting. The built-in TYPE CODE (not settable) will identify the module to the control panel, so as to differentiate between a control module and a relay module.



CRF-300(A)

Specifications

Normal operating voltage: 15 to 32 VDC.

Maximum SLC current draw: 6.5 mA (LED on).

Average operating current: 230 μ A direct poll (CLIP mode), 255 μ A group poll (LiteSpeed mode) with LED flashing.

EOL resistance: not used.

Temperature range: 32°F to 120°F (0°C to 49°C).

Humidity range: 10% to 93% non-condensing.

Dimensions: 4.5" (11.43 cm) high x 4" (10.16 cm) wide x 1.25" (3.175 cm) deep. Mounts to a 4" (10.16 cm) square x 2.125" (5.398 mm) deep box.

Relay Contact Ratings

Load Description	Application	Maximum Voltage	Current Rating
Resistive	Non-Coded	30 VDC	3.0 A
Resistive	Coded	30 VDC	2.0 A
Resistive	Non-Coded	110 VDC	0.9 A
Resistive	Non-Coded	125 VAC	0.9 A
Inductive (L/R=5ms)	Coded	30 VDC	0.5 A
Inductive (L/R=2ms)	Coded	30 VDC	1.0 A
Inductive (PF=0.35)	Non-Coded	125 VAC	0.5 A

Agency Listings and Approvals

In some cases, certain modules may not be listed by certain approval agencies, or listing may be in process. Consult factory for latest listing status.

- **UL:** S2424
- **ULC:** S2424
- **FM approved**
- **CSFM:** 7300-0075:185
- **MEA:** 72-01-E

Product Line Information

CRF-300(A): Intelligent addressable relay module.

: Intelligent addressable relay module, ULC listed model.

SMB500: Optional surface-mount backbox.

NOTE: For installation instructions, see document I56-1190-005 and refer to the SLC Wiring Manual, document 51309.

LiteSpeed™ is a trademark and Fire•Lite® Alarms is a registered trademark of Honeywell International Inc.
©2009 by Honeywell International Inc. All rights reserved. Unauthorized use of this document is strictly prohibited.



This document is not intended to be used for installation purposes.
We try to keep our product information up-to-date and accurate.
We cannot cover all specific applications or anticipate all requirements.
All specifications are subject to change without notice.



Made in the U.S. A.

For more information, contact Fire•Lite Alarms. Phone: (800) 627-3473, FAX: (877) 699-4105.
www.firelite.com

MMF-300 Series/MDF-300 Addressable Monitor Modules

Section: Addressable Devices

GENERAL

Four different monitor modules are available for Fire-Lite Alarm's MS-9200 and MS-9600 intelligent fire alarm control panels to suit a variety of applications. Monitor modules are used to supervise a circuit of dry-contact input devices, such as conventional heat detectors and pull stations, or monitor and power a circuit of two-wire smoke detectors (MMF-302).

MMF-300 (Replaces M300) — The MMF-300 Monitor Module is a standard-sized module (typically mounts to a 4" [101.6 mm] square box) that supervises either a Class A (Style D) or Class B (Style B) circuit of dry-contact input devices.

MMF-301 (Replaces M301) — The MMF-301 is a Miniature Monitor Module (a mere 1.3" (33.02 mm) H x 2.75" (69.85 mm) W x 0.5" (12.70 mm) D) used to supervise a Class B (Style B) circuit. Its compact design allows the MMF-301 to be mounted in a single-gang box behind the device it is monitoring.

MMF-302 (Replaces M302) — The MMF-302 Interface Module is a standard-sized module used to monitor and supervise compatible two-wire, 24 volt, smoke detectors on a Class A (Style D) or Class B (Style B) circuit.

MDF-300 (New) — The MDF-300 Dual Monitor Module is a standard-sized module (typically mounts to a 4" [101.6 mm] square box) that supervises two Class B (Style B) circuits of dry-contact input devices.

MMF-300 MONITOR MODULE

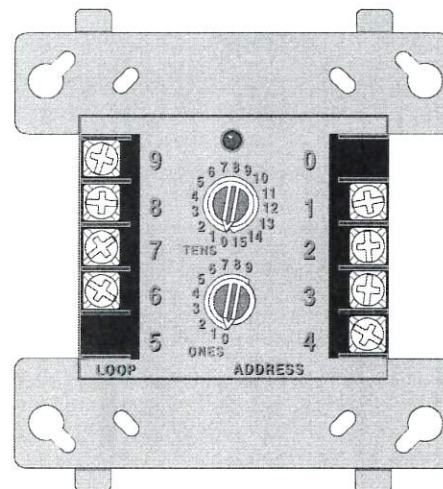
- Built-in type identification automatically identifies this device as a monitor module to the control panel.
- Powered directly by two-wire SLC loop. No additional power required.
- High noise (EMF/RFI) immunity.
- SEMS screws with clamping plates for ease of wiring.
- Direct Decade 01 – 99 (MS-9200) and 01-159 (MS-9600) entry of address.
- LED flashes green during normal operation and latches on steady red to indicate alarm.

The **MMF-300 Monitor Module** is intended for use in intelligent, two-wire systems, where the individual address of each module is selected using the built-in rotary switches. It provides either a two-wire or four-wire Class A or Class B fault-tolerant Initiating Device Circuit (IDC) for normally-open-contact fire alarm and supervisory devices. The module has a panel-controlled LED indicator. The MMF-300 can be used to replace M300 modules in existing systems.

MMF-300 Applications — Use to monitor a zone of four-wire smoke detectors, manual fire alarm pull stations, waterflow devices, or other normally-open dry-contact alarm activation devices. May also be used to monitor normally-open supervisory devices with special supervisory indication at the control panel. Monitored circuit may be wired as an NFPA Style B (Class B) or Style D (Class D) Initiating Device Circuit. A 47K ohm End-of-Line Resistor (provided)



7300-0075:185


MMF-300, MMF-302 and MDF-300

52121m300.wmf

terminates the Style B circuit. No resistor is required for supervision of the Style D circuit. Maximum IDC resistance is 1,500 ohms.

MMF-300 Operation — Each MMF-300 uses one of 99 (MS-9200) or 159 (MS-9600) available module addresses on an SLC loop. It responds to regular polls from the control panel and reports its type and the status (open/normal/short) of its Initiating Device Circuit (IDC). A flashing LED indicates that the module is in communication with the control panel. The LED latches steady on alarm (subject to current limitations on the loop).

MMF-300 Specifications

Nominal operating voltage: 15 to 32 VDC.

Maximum current draw: 5.1 mA (LED on).

Average operating current: 400 µA (LED flashing).

EOL resistance: 47K ohms.

Temperature range: 32°F to 120°F (0°C to 49°C).

Humidity range: 10% to 93% noncondensing.

Dimensions: 4.5" (114.3 mm) high x 4" (101.6 mm) wide x 1.25" (31.75 mm) deep. Mounts to a 4" (101.6 mm) square x 2.125" (53.975 mm) deep box.

This document is not intended to be used for installation purposes. We try to keep our product information up-to-date and accurate. We cannot cover all specific applications or anticipate all requirements. All specifications are subject to change without notice. For more information, contact Fire-Lite Alarms, One Fire-Lite Place, Northford, Connecticut 06472. Phone: (800) 627-3473, Toll Free FAX: (877) 699-4105, FAX Back: (888) 388-3299.

**ISO 9001
CERTIFIED**
ENGINEERING & MANUFACTURING

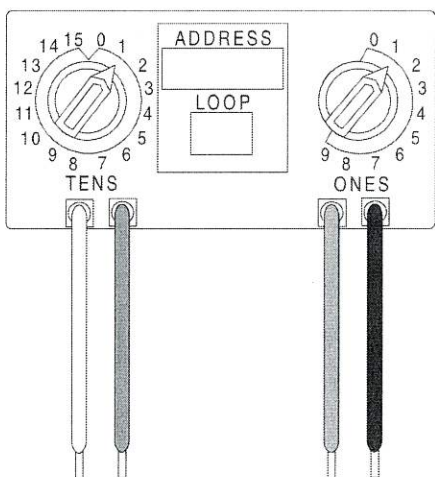


Made in the U.S.A.

MMF-301 MINI MONITOR MODULE

- Built-in type identification automatically identifies this device as a monitor module to the MS-9200.
- Powered directly by two-wire SLC Loop. No additional power required.
- High noise (EMF/RFI) immunity.
- Tinned, stripped leads for ease of wiring.
- Direct-dial entry of address (01-99).

The **MMF-301 Mini Monitor Module** can be installed in a single-gang junction directly behind the monitored unit. Its small size and light weight allow it to be installed without rigid mounting. The MMF-301 is intended for use in intelligent, two-wire systems where the individual address of each module is selected using rotary switches. It provides a two-wire initiating device circuit for normally-open-contact fire alarm and security devices. The MMF-301 can be used to replace M301 module in existing systems.



MMF-301 Applications — Use to monitor a single device or a zone of four-wire smoke detectors, manual fire alarm pull stations, waterflow devices, or other normally-open dry-contact devices. May also be used to monitor normally-open supervisory devices with special supervisory indication at the control panel. Monitored circuit/device is wired as an NFPA Style B (Class B) Initiating Device Circuit. A 47K ohm End-of-Line Resistor (provided) terminates the circuit.

MMF-301 Operation — Each MMF-301 uses one of 159 (MS-9600 only) available module addresses on an SLC loop. It responds to regular polls from the control panel and reports its type and the status (open/normal/short) of its Initiating Device Circuit (IDC).

MMF-301 Specifications

- Nominal operating voltage:** 15 to 32 VDC.
- Average operating current:** 375 μ A maximum.
- EOL resistance:** 47K ohms.
- Temperature range:** 32°F to 120°F (0°C to 49°C).
- Humidity range:** 10% to 93% noncondensing.
- Dimensions:** 1.3" (33.02 mm) high x 2.75" (69.85 mm) wide x 0.5" (12.70 mm) deep.
- Wire length:** 6" (152.4 mm) minimum.

MMF-302 INTERFACE MODULE

- Supports compatible two-wire smoke detectors.
- Supervises IDC wiring and connection of external power source (resettable).
- High noise (EMF/RFI) immunity.
- SEMS screws with clamping plates for ease of wiring.
- Direct-dial entry of address (01-99).
- LED flashes during normal operation (this is a programmable option).
- LED latches steady to indicate alarm on command from control panel.

The **MMF-302 Interface Module** is intended for use in intelligent, addressable systems, where the individual address of each module is selected using built-in rotary switches. This module allows intelligent panels to interface and monitor two-wire conventional smoke detectors. It transmits the status (normal, open, or alarm) of one full zone of conventional detectors back to the control panel. All two-wire detectors being monitored must be UL compatible with the module.

MMF-302 Applications — Use the MMF-302 to monitor a zone of two-wire smoke detectors. The monitored circuit may be wired as an NFPA Style B (Class B) or Style D (Class A) Initiating Device Circuit. A 3.9 K ohm End-of-Line Resistor (provided) terminates the end of the Style B or D (class B or A) circuit (maximum IDC loop resistance is 25 ohms). Install ELR across terminals 8 and 9 for Style D application.

MMF-302 Operation — Each MMF-302 uses one of 159 (MS-9600 only) available module addresses on an SLC loop. It responds to regular polls from the control panel and reports its type and the status (open/normal/short) of its Initiating Device Circuit (IDC). A flashing LED indicates that the module is in communication with the control panel. The LED latches steady on alarm (subject to current limitations on the loop).

MMF-302 Specifications

- Nominal operating voltage:** 15 to 32 VDC.
- Maximum current draw:** 5.1 mA (LED on).
- Average operating current:** 270 μ A (LED flashing).
- EOL resistance:** 3.9K ohms.
- External supply voltage** (between Terminals T3 and T4): **DC voltage:** 18 to 28 volts power limited. **Ripple voltage:** 0.1 V_{RMS} maximum. **Current:** 90 mA per module maximum.
- Temperature range:** 32°F to 120°F (0°C to 49°C).
- Humidity range:** 10% to 93% noncondensing.
- Dimensions:** 4.5" (114.3 mm) high x 4" (101.6 mm) wide x 1.25" (31.75 mm) deep. Mounts to a 4" (101.6 mm) square x 2.125" (53.975 mm) deep box.

MDF-300 DUAL MONITOR MODULE

- Built-in type identification automatically identifies this device as two monitor modules to the control panel.
- Powered directly by the two-wire SLC loop. No additional power required.
- High noise (EMF/RFI) immunity.
- SEMS screws with clamping plates for ease of wiring.
- Direct-dial entry of address 01 – 159 on the MS-9600.
- LED flashes green during normal operation and latches on steady red to indicate alarm.

The **MDF-300 Dual Monitor Module** is intended for use in intelligent, two-wire systems, where the individual address of each module is selected using the built-in rotary switches. It provides two independent two-wire fault-tolerant Initiating Device Circuits (IDCs) at two separate, consecutive ad-

dresses. It is capable of monitoring normally open-contact fire alarm and supervisory devices, or either normally open or normally closed security devices. The module has a single panel-controlled red LED indicator.

MDF-300 Applications - Use to monitor a zone of four-wire smoke detectors, manual fire alarm pull stations, waterflow devices, or other normally-open dry-contact alarm activation devices. May also be used to monitor normally-open supervisory devices with special supervisory indication at the control panel. Monitored circuit may be wired as an NFPA Style B (Class B) Initiating Device Circuit. The 47K ohm End-of-Line Resistors (provided) terminate the Style B circuit. Maximum IDC resistance is 1,500 ohms.

MDF-300 Operation - Each MDF-300 uses two of 99 (MS-9200) or 159 (MS-9600) available module addresses on an SLC loop. It responds to regular polls from the control panel and reports its type and the status (open/normal/short) of its Initiating Device Circuit (IDC). A flashing LED indicates that the module is in communication with the control panel. The LED latches steady on alarm (subject to current limitations on the loop).

MDF-300 Specifications

Nominal operating voltage: 15 to 32 VDC.

Maximum current draw: 5.1 mA (LED on).

Average operating current: 750 μ A (LED flashing).

EOL resistance: 47K ohms.

Maximum IDC wire resistance: 1,500 Ohms.

Temperature range: 32°F to 120°F (0°C to 49°C).

Humidity range: 10% to 93% noncondensing.

Dimensions: 4.5" (114.3 mm) high x 4" (101.6 mm) wide x 1.25" (31.75 mm) deep. Mounts to a 4" (101.6 mm) square x 2.125" (53.975 mm) deep box.

Accessories: SMB500 electrical box.

INSTALLATION

MMF-300, MMF-302 and **MDF-300** modules mount directly to a standard 4" (101.6 mm) square, 2.125" (53.975 mm) deep, electrical box. They may also be mounted to the SMB500 surface-mount box. Mounting hardware and installation instructions are provided with each module. All wiring must conform to applicable local codes, ordinances, and regulations. These modules are intended for power-limited wiring only.

The **MMF-301** module is intended to be wired and mounted without rigid connections inside a standard electrical box. All wiring must conform to applicable local codes, ordinances, and regulations.

ARCHITECTS'/ENGINEERS' SPECIFICATIONS

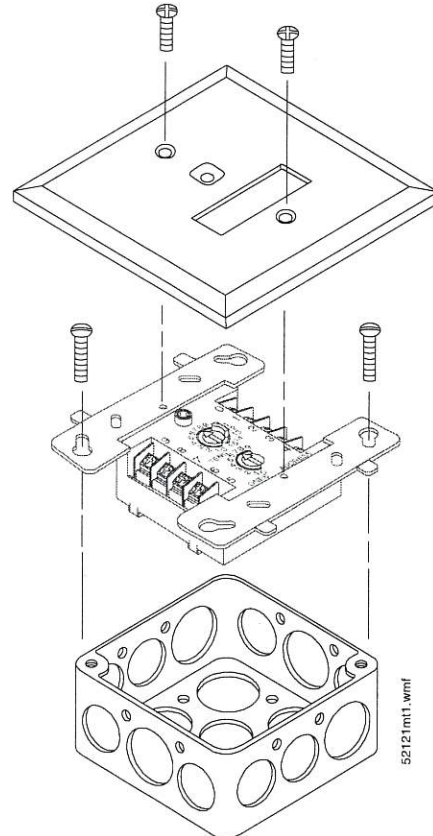
Specifications of these and all Fire•Lite Alarms products are available from Fire•Lite Alarms.

PRODUCT LINE INFORMATION

MMF-300	Monitor Module.
MMF-301	Mini Monitor Module.
MMF-302	Two-Wire Detector Monitor Module.
MDF-300	Dual Monitor Module.
SMB500	Optional Surface-Mount Backbox.

MOUNTING DIAGRAMS

for standard-sized modules



ANN-80

80-Character Serial LCD Annunciator



Annunciators

General

The ANN-80 annunciator is a compact, backlit, 80-character LCD fire annunciator that mimics the Fire Alarm Control Panel (FACP) display. It provides system status indicators for AC Power, Alarm, Trouble, Supervisory, and Alarm Silenced conditions. The ANN-80 and the FACP communicate over a two-wire serial interface employing the ANN-Bus communication format. Connected devices are powered, via two additional wires, by either the host FACP or a remote UL-listed, filtered power supply. The ANN-80 is red; for white, order ANN-80-W.

The ANN-80 displays English-language text of system point information including device type, zone, independent point alarm, trouble or supervisory status, as well as any custom alpha labels programmed into the control panel. It includes control switches for remote control of critical system functions. (A keyswitch prevents unauthorized operation of the control switches.)

Up to eight ANN-80s may be connected to the ANN-Bus of each FACP. No programming is required, which saves time during system commissioning.



Features

- Listed to UL Standard 864, 9th Edition
- Backlit 80-character LCD display (20 characters x 4 lines)
- Mimics all display information from the host panel
- Control switches for System Acknowledge, Signal Silence, Drill, and Reset
- Control switches can be independently enabled or disabled at the FACP
- Keyswitch enables/disables control switches and mechanically locks annunciator enclosure
- Keyswitch can be enabled or disabled at the FACP
- Enclosure supervised for tamper
- System status LEDs for AC Power, Alarm, Trouble, Supervisory, and Alarm Silence
- Local sounder can be enabled or disabled at the FACP
- ANN-80 connects to the ANN-Bus terminal on the FACP and requires minimal panel programming
- Displays device type identifiers, individual point alarm, trouble, supervisory, zone, and custom alpha labels
- Time-and date display field
- Surface mount directly to wall or to single, double, or 4" square electrical box
- Semi-flush mount to single, double, or 4" square electrical box. Use ANN-SB80KIT for angled view mounting
- Can be remotely located up to 6,000 feet (1,800 m) from the panel
- Backlight turns off during AC loss to conserve battery power but will turn back on if an alarm condition occurs
- May be powered by 24 VDC from the host FACP or by remote power supply (requires 24 VDC)
- Up to eight ANN-80s can be connected on the ANN-Bus

Controls and Indicators

- AC Power
- Alarm
- Trouble

- Supervisory
- Alarm Silenced

Specifications

- **Operating voltage range:** 18 VDC to 28 VDC
- **Current consumption @ 24 VDC nominal** (filtered and non-resettable): 40 mA maximum
- **Ambient temperature:** 32°F to 120°F (0°C to 49°C)
- **Relative humidity:** 93% ± 2% RH (non-condensing) at 32°C ± 2°C (90°F ± 3°F)
- 5.375" (13.65 cm.) high x 6.875" (17.46 cm.) wide x 1.375" (3.49 cm.) deep
- For use indoors in a dry location
- All connections are power-limited and supervised

The ANN-Bus

POWERING THE DEVICES ON THE ANN-BUS FROM AUXILIARY POWER SUPPLY

The ANN-Bus can be powered by an auxiliary power supply when the maximum number of ANN-Bus devices exceeds the ANN-Bus power requirements. See the FACP manual for more information.

ANN-BUS DEVICE ADDRESSING

Each ANN-Bus device requires a unique address (ID Number) in order to communicate with the FACP. A maximum of 8 devices can be connected to the FACP ANN-Bus communication circuit. See the FACP manual for more information.

WIRE REQUIREMENTS: COMMUNICATIONS CIRCUIT

The ANN-80 connects to the FACP ANN-Bus communications circuit. To determine the type of wire and the maximum wiring distance that can be used with FACP ANN-Bus accessory modules, it is necessary to calculate the total worst case current draw for all modules on a single 4-conductor bus. The total worst case current draw is calculated by adding the individual worst case currents for each module.

NOTE: For total worst case current draw on a single ANN-Bus refer to appropriate FACP manual.

WIRE REQUIREMENTS: POWER CIRCUIT

- 14 to 18 AWG (0.75 - 2.08 mm²) wire for 24 VDC power circuit is acceptable. Power wire distance limitation is set by 1.2 volt maximum line drop from source to end of circuit.
- All connections are power-limited and supervised.
- A maximum of eight ANN-80 modules may be connected to this circuit.

Ordering Options

ANN-80: Red 80 character LCD Annunciator.

ANN-80-W: White, 80 character LCD Annunciator.

ANN-SB80KIT-R: Red surface mount backbox with angled wedge.

ANN-SB80KIT-W: White surface mount backbox with angled wedge.

Agency Listings and Approvals

The listings and approvals below apply to the ANN-80. In some cases, certain modules may not be listed by certain approval agencies, or listing may be in process. Consult factory for latest listing status.

- **UL:** S2424
- **FM approved**
- **CSFM:** 7120-0075:0211
- **MEA:** 442-06-E

Fire-Lite® Alarms is a registered trademark of Honeywell International Inc. ©2018 by Honeywell International Inc. All rights reserved. Unauthorized use of this document is strictly prohibited.



This document is not intended to be used for installation purposes.
We try to keep our product information up-to-date and accurate.
We cannot cover all specific applications or anticipate all requirements.
All specifications are subject to change without notice.

For more information, contact Fire-Lite Alarms. Phone: (800) 627-3473, FAX: (877) 699-4105.
www.firelite.com



Country of Origin: USA

ES-1000X Series

Intelligent Addressable FACP with 954 Point Capacity



Addressable Fire Alarm Control Panels

General

The Fire-Lite ES-1000X, ES-1000XC, and ES-1000XI are intelligent addressable Fire Alarm Control Panels (FACP) with a pre-installed loop card. The ES-1000X control panels support up to 318 addressable devices per Signaling Line Circuit (SLC) (Digital Communication Loop) (DCL) loop (159 detectors and 159 modules) with a maximum of three loops. With an extensive list of powerful features, the ES-1000X programs just like Fire-Lite's other addressable products while offering expanded support for up to 954 devices for larger and more complex installations.

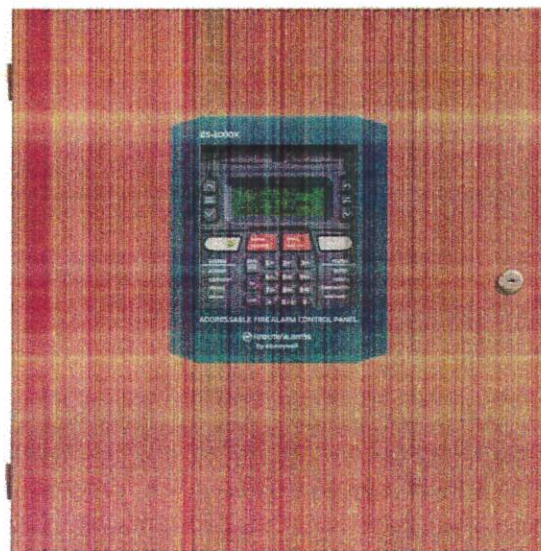
The ES-1000X and ES-1000XC feature a pre-installed IPOTS-COM communicator which transmits system status (alarms, troubles, AC loss, etc.) to a Central Station via the public switched telephone network. The communicator's internet monitoring capability sends alarm signals over the Internet saving the monthly cost of two dedicated business telephone lines. Although not required, the secondary telephone line may be retained providing backup communication over the public switched telephone line. Optional cellular reporting is available using the CLSS Pathway or GSM Communicators.

Remote and local programming of the control panel is possible using the FS-Tools Upload/Download utility. Programming databases can be uploaded/downloaded via the panel's USB port and thumb drive. This allows download of the entire program or upload of the entire program, history file, walk-test data, current status and system voltages.

The power supply and all electronics are contained on a circuit board supported on a new quick install chassis and housed in a metal cabinet. Available accessories include local and remote upload/download software, remote annunciators, and reverse polarity/city box transmitter (4XTMF).

Features

- Listed to UL Standard 864, 10th edition
- Pre-Installed IPOTS-COM Ethernet IP and POTS (Plain Old Telephone Service) Central Station Communicator (ES-1000X/C)
- Optional CLSS or GSM Central Station Communicators
- Compatible with SWIFT® wireless devices
- Four independently programmable, built-in, Class A or Class B NAC circuits
- Selectable strobe synchronization for System Sensor®, Wheelock®, and Gentex® devices
- Four programmable function keys for ease of maintenance
- Two programmable relays and one fixed trouble relay
- Built-in Programmer
- Integral 80-character LCD display with backlighting
- Real-time clock/calendar with automatic daylight savings control
- History file with 1,000 event capacity
- Auto-programming (learn mode) reduces installation time. Reports two devices set to the same address
- Addressable sounder base
- Multi-criteria detector (smoke, heat, CO) with programmable response
- Control module delay timer
- Automatic detector sensitivity testing (NFPA 72 compliant)
- Automatic device type-code verification
- Point trouble identification
- Waterflow selection per module point



- Alarm verification selection per detector point
- Maintenance alert warns when smoke detector dust accumulation is excessive
- One-person audible or silent walk test with walk-test log and print-out
- System alarm verification selection per detector point
- PAS (Positive Alarm Sequence) and Pre-signal per point (NFPA 72 compliant)
- Up to 16 ANN-Bus annunciators- 8 per each ANN-Bus
- Remote Acknowledge, Alarm Silence, Reset and Drill via addressable modules or remote annunciator
- Upload/Download of program and data via USB with optional FS-Tools Programming Utility

SLC(DCL) COMMUNICATION LOOP

- LiteSpeed™ polling protocol for faster SLC (DCL) response time
- SLC (DCL) operates up to 10,000 ft. (3,000 m) in LiteSpeed mode with twisted, unshielded wire
- Single addressable SLC (DCL) loop, expandable up to three, which meets NFPA Class B, Class A, and Class X requirements
- Two additional SLC (DCL) loops available using the SLC-3LS Loop Expander Cards
- 318 addressable device capacity (159 addressable detectors and modules) per SLC (DCL) loop.
- Compatible with Fire-Lite's addressable devices (refer to the *SLC Wiring Manual*)

NOTIFICATION APPLIANCE CIRCUITS (NACS)

- Four independently programmable output circuits. Circuits can be configured for Class A and Class B outputs
- Silence Inhibit and Autosilence timer options
- Continuous, March Time, Temporal, or California code for main circuit board NACs with two-stage capability
- Selectable strobe synchronization per NAC
- 3 A special application, 300mA regulated, total power for NACs

H365(A)-IV: Low-profile 135°F fixed thermal sensor. Ivory. LiteSpeed and CLIP mode.

H365R(A): Low-profile, intelligent, rate-of-rise thermal sensor. LiteSpeed only.

H365R(A)-IV: Low-profile, intelligent, rate-of-rise thermal sensor. Ivory. LiteSpeed and CLIP mode.

H365HT(A): Low-profile intelligent 190°F/88°C fixed thermal sensor. LiteSpeed only.

H365HT(A)-IV: Low-profile intelligent 190°F/88°C fixed thermal sensor. Ivory. LiteSpeed and CLIP mode.

D365PL: Low-flow non-relay duct-detector housing; includes SD365R.

Legacy Devices

CP355(A): Addressable low-profile ionization smoke detector.

SD355(A): Addressable low-profile photoelectric smoke detector.

SD355T(A): Addressable low-profile photoelectric smoke detector with thermal sensor.

SD355R(A): Remote test capable addressable photoelectric smoke detector for use with DNR(W) duct detector housing.

SD355CO: Addressable, low-profile device that provides fire, heat, and carbon monoxide (CO) detection.

H355(A): Fast-response, low-profile heat detector.

H355R(A): Fast-response, low-profile heat detector with rate-of-rise option.

H355HT(A): Fast-response, low-profile heat detector that activates at 190°F/88°C.

AD355(A): Low-profile, intelligent, "Adapt" multi-sensor detector (B350LP base included).

B200S(A)(-WH)(-IV): Programmable, addressable sounder base.

B200SR(A)(-WH)(-IV): Addressable sounder base.

B200S-LF(-WH)(-IV): Programmable, addressable sounder base, low-frequency.

B200SR-LF(-WH)(-IV): Addressable sounder base, low-frequency.

BEAM355: Intelligent beam smoke detector.

BEAM355S: Intelligent beam smoke detector with integral sensitivity test.

D355PL(A): InnovairFlex low-flow non-relay duct-detector housing; includes SD355R.

DNR(A): InnovairFlex low-flow non-relay duct-detector housing. (Order SD355R(A)/SD365R(A) separately.)

DNRW: InnovairFlex low-flow non-relay duct-detector housing, with NEMA-4 rating. Watertight. (Order SD355R(A)/SD365R(A) separately.)

Addressable Modules

CMF-300: Addressable Control Module for one Class B or A zone of supervised polarized Notification Appliances. Mounts directly to a 4.0" (10.16 cm.) electrical box. Notification Appliance Circuit option requires external 24 VDC to power notification appliances.

CMF-300-6: Six-circuit supervised control module. Mount one or two modules in a BB-2F cabinet (optional). Mount up to six modules on a CHS-6 chassis in a BB-6F cabinet.

CRF-300: Addressable relay module containing two isolated sets of Form-C contacts, which operate as a DPDT switch. Mounts directly to a 4.0" (10.16 cm.) box, surface mount using the SMB500.

CRF-300-6: Six-relay control module (Form-C relays). Mount one or two modules in a BB-2F cabinet (optional). Mount up to six modules on a CHS-6 chassis in a BB-6F cabinet.

I300: This module isolates the SLC (DCL) loop from short circuit conditions (required for Class A or Class X operation).

ISO-6: Six-fault isolator module. Mount one or two modules in a BB-2F cabinet (optional). Mount up to six modules on a CHS-6 chassis in a BB-6F cabinet.

MDF-300: Dual Monitor Module. Same as MMF-300 except it provides two Class B-only IDCs.

MMF-300: Addressable Monitor Module for one zone of normally-open dry-contact initiating devices. Mounts in standard 4.0" (10.16 cm.) box. Includes plastic cover plate and end-of-line resistor. Module may be configured for either a Class B or Class A IDC.

MMF-300-10: Ten-input monitor module. Mount one or two modules in a BB-2F cabinet (optional). Mount up to six modules on a CHS-6 chassis in a BB-6F cabinet.

MMF-301: Miniature version of MMF-300. Excludes LED and Class A wiring option. Connects with wire pigtails. May mount in device back-box.

MMF-302: Similar to MMF-300. Addressable Monitor Module for one zone of conventional two-wire detectors. Requires resettable 24 VDC power. Refer to the *Device Compatibility Document* for listed compatible devices and quantity limitation.

MMF-302-6: Six-zone interface module. Mount one or two modules in a BB-2F cabinet (optional). Mount up to six modules on a CHS-6 chassis in a BB-6F cabinet.

SMB500: Used to mount all modules except the MMF-301 and M301.

SWIFT Wireless Devices

W-GATE(A): LiteSpeed Wireless Gateway

W-SD355(A): LiteSpeed intelligent, wireless photo detector.

W-H355R(A): LiteSpeed intelligent wireless rate of rise (135°) heat detector.

W-SD355T(A): intelligent wireless photo/heat detector.

W-H355(A): LiteSpeed intelligent wireless fixed-temperature (135°) heat detector.

W-MMF(A): LiteSpeed Intelligent wireless monitor module.

W-CRF(A): LiteSpeed Intelligent wireless relay module.

W-BG-12LX(A): LiteSpeed Intelligent wireless pull station.

WAV-RL, WAV-WL, WAV-CRL, WAV-CWL: LiteSpeed Intelligent AV bases.

W-USB: Wireless USB radio/antenna dongle that plugs into the USB port of a PC running SWIFT Tools.

SWIFT Tools: Programming and diagnostic utility for the Wireless Gateway and devices. Available for download from firelite.com.

NOTE: For more information on Compatible Addressable Devices for use with the ES-1000X, see the following data sheets (document numbers): AD355(A) (DF-52386), AD365(A) (DF-62007), BG-12LX (DF-52013), CMF-300-6(A) (DF-52365), CRF-300-6(A) (DF-52374), CMF(A)/CRF(A) Series (DF-52130), CP355(A) (DF-52383), H355(A) Series (DF-52385), H365(A) Series (DF-61011), I300(A) (DF-52389), ISO-6(A) (DF-60485), MMF-300(A) Series/MDF-300(A) (DF-52121), MMF-300-10(A) (DF-52347), MMF-302-6(A) (DF-52356), SD355(A)/SD355T(A) (DF-52384), SD365(A) Series (DF-61010), SD355CO (DF-60963) SD365CO (DF-62000).

ADDRESSABLE DEVICE ACCESSORIES

End-of-Line Resistor Assembly (R-47K and R-3.9K): The 47k ohm assembly supervises the MMF-300(A), MDF-300(A), MMF-301(A), and CMF-300(A) module circuits. The 3.9k ohm assembly supervises the MMF-302(A) module circuit. These resistors are included with each module.

Power Supervision Relay: Supervises the power to 4-wire smoke detectors and notification appliances.

Wiring Requirements

While shielded wire is not required, it is recommended that all SLC (DLC) wiring be twisted-pair to minimize the effects of electrical interference. Refer to the panel manual for wiring details.

NOTE: Maximum or total 24VDC system power shared between all NAC circuits and Auxiliary Power circuits is 8.0 A

PROGRAMMING AND SOFTWARE

- Auto-programming (learn mode) reduces installation time
- Custom English labels (per point) may be manually entered or selected from an internal library file
- Two programmable Form-C relay outputs
- 256 software zones
- Continuous fire protection during online programming
- Program Check automatically catches common errors not linked to any zone or input point
- **OFFLINE PROGRAMMING:** Create the entire program in your office using FS-Tools, a Windows®-based software package, and upload/download system programming locally. Offline programming requires an ethernet connection. FS-Tools is available on www.fire-lite.com.

User Interface

LED INDICATORS

- Fire Alarm (red)
- CO Alarm (yellow)
- AC Power (green)
- Supervisory (yellow)
- Trouble (yellow)
- Ground fault (yellow)
- Battery fault (yellow)
- Disabled (yellow)
- Maintenance (yellow)
- Communication (yellow)
- Alarm Silenced (yellow)
- F1-F4 Function Keys (yellow)

KEYPAD

- 16 key alpha-numeric pad
- Acknowledge
- Alarm Silence
- Drill (Manual Evacuate)
- Reset (lamp test)
- Four (4) programmable function keys

Product Line Information

ES-1000X: Addressable Fire Alarm Control Panel with one SLC loop. Includes main circuit board with display, pre-installed communicator, chassis with transformer, backbox with dress panel and door, plastic bag containing screws, cables, key, etc.

ES-1000XC: Addressable Fire Alarm Control Panel with one DCL loop for Canadian applications. Includes main circuit board with display, pre-installed communicator, chassis with transformer, backbox with dress panel and door, plastic bag containing screws, cables, key, etc.

ES-1000XI: Addressable Fire Alarm Control Panel with one SLC loop. Includes main circuit board with display, chassis with transformer, backbox with dress panel and door, plastic bag containing screws, cables, key, etc., manual.

SLC-3LS: Optional loop expander card. Maximum 2 per panel.

HW-AV-LTE-M: CLSS Dual-Path LTE Communicator with Dial Capture Interface

HW-TG7FS-A / HW-TG7S-V: CLSS-Enabled 5G /LTE-M Commercial Fire Alarm Communicators for AT&T® and Verizon®

HW-TG7FE-A / HW-TG7FE-V: CLSS-Enabled 5G/LTE-M Dual Path Commercial Fire Alarm Communicators for AT&T and Verizon

HW-TG7FP-A / HW-TG7FP-V: CLSS-Enabled 5G/LTE-M Sole Path Commercial Fire Alarm Communicators for AT&T and Verizon

FS-Tools: Programming software for Windows-based PC computer. Available for download at www.firelite.com.

BB-2F: Optional cabinet for one or two modules.

BB-6F: Optional cabinet for up to six modules mounted on CHS-6 chassis.

BB-26: Battery backbox, holds up to two 25 AH batteries and CHG-75.

BB-55F: Battery box, houses two 55 AH batteries

CHS-6: Chassis, mounts up to six multi-modules in a BB-6F cabinet.

CHG-75: Battery charger for lead-acid batteries with a rating of 25 to 75 AH.

CHG-120F: Remote battery charging system for lead-acid batteries with a rating of 55 to 120 AH. Requires additional BB-55F for mounting.

BAT Series: Batteries, see data sheet DF-52397.

PRN Series: UL listed compatible event printer. Uses tractor-fed paper.

OPTIONAL EQUIPMENT

4XTMF Reverse Polarity Transmitter Module: Provides a supervised output for local energy municipal box transmitter, alarm and trouble. Includes a disable switch and disable trouble LED.

FL-PS / HPF-PS Series Power Supplies: Optional NAC Expander power supply with either 6 amps or 10 amps power.

COMPATIBLE ANNUNCIATORS

ANN-80: Remote, red LCD annunciator mimics the information displayed on the FACP LCD display. Recommended wire type is un-shielded.

ANN-100: Remote LCD annunciator mimics the information displayed on the FACP LCD display. Recommended wire type is un-shielded. For use in FM applications only.

ANN-I/O: LED Driver Module provides connections to a user supplied graphic annunciator. (See DF-52430.)

ANN-LED: Annunciator Module provides three LEDs for each zone: Alarm, Trouble, and Supervisory. Ships with red enclosure. (See DF-60241.)

ANN-RLED: Provides alarm (red) indicators for up to 30 input zones or addressable points. (See DF-60241.)

ANN-RLY: Relay Module provides 10 programmable Form-C relays. Can be mounted inside the cabinet. (See DF-52431.)

ANN-S/PG: Serial/Parallel Printer Gateway module provides a connection for a serial or parallel printer. (See DF-52429.)

ADDRESSABLE DEVICES

All feature a polling LED and rotary switches for addressing.

SD365(A): Addressable low-profile photoelectric smoke detector. LiteSpeed only.

SD365(A)-IV: Addressable low-profile photoelectric smoke detector. Ivory. LiteSpeed and CLIP mode.

SD365T(A): Addressable low-profile photoelectric smoke detector with thermal sensor. LiteSpeed only.

SD365T(A)-IV: Addressable low-profile photoelectric smoke detector with thermal sensor. Ivory. LiteSpeed and CLIP mode.

SD365R(A): Remote test capable addressable photoelectric smoke detector for use with DNR(W) duct detector housing. LiteSpeed only.

SD365R(A)-IV: Remote test capable addressable photoelectric smoke detector for use with DNR(W) duct detector housing. Ivory. LiteSpeed and CLIP mode.

SD365CO: Addressable, low-profile device that provides fire, heat, and carbon monoxide (CO) detection, LiteSpeed only.

SD365CO-IV: Addressable, low-profile device that provides fire, heat, and carbon monoxide (CO) detection. Ivory. LiteSpeed and CLIP mode.

H365(A): Low-profile 135°F fixed thermal sensor. LiteSpeed only.

SYSTEM SPECIFICATIONS

System Capacity

- Maximum Intelligent Signaling Line Circuits3
- Addressable device capacity per loop318
- Programmable software zones256
- Annunciators..... 16

Electrical Specifications

AC Power: 120/240 VAC, 50/60 Hz, 2.4 A. Wire size: minimum 14 AWG (2.00 mm²) with 600 V insulation. Non-power-limited, supervised.

Battery: Minimum System Battery Size: 18 Amp Hour, Maximum Battery Charger Capacity: 55 Amp Hour, FACP cabinet holds maximum of two 26 Amp Hour batteries.

Communication Loop: Supervised and power-limited.

Notification Appliance Circuits: Terminal Block provides connections for four NACs, Class B or Class A. Special Application power. Power-limited, supervised circuitry. Maximum signaling current per circuit: 3.0 amps special application, 300mA regulated. End-of-Line Resistor: 4.7k ohm, ½ watt (P/N 71252 UL listed) for Class B NAC; system capable of 1.9 kΩ - 22 kΩ ELR range. Refer to the *Fire-Lite Device Compatibility Document* for listed compatible devices.

Two Programmable Relays and One Fixed Trouble Relay: Contact rating: 2.0 A @ 30 VDC (resistive), 0.5 A @ 30 VAC (resistive). Form-C relays, non-power-limited, non-supervised.

Cabinet Specifications

Door: 20.30" (51.56 cm.) high x 20.57" (52.25 cm.) wide x 0.72" (1.82 cm.) deep. **Backbox:** 20.00" (50.8 cm.) high x 20.50" (52.07 cm.) wide x 6.755" (13.34 cm.) deep.

Shipping Specifications

Weight: 41.0 lbs. (18.6 kg.) **Dimensions:** 22.0625" (53.088 cm.) high x 23.875" (60.643 cm.) wide x 7.75" (19.69 cm.) deep.

Temperature and Humidity Ranges

This system meets NFPA requirements for operation at 0 – 49°C/32 – 120°F and at a relative humidity 93% ± 2% RH (noncondensing) at 32°C ± 2°C (90°F ± 3°F). However, the useful life of the system's standby batteries and the electronic components may be adversely affected by extreme temperature ranges and humidity. Therefore, it is recommended that this system and its peripherals be installed in an environment with a normal room temperature of 15 – 27°C/60 – 80°F.

NFPA Standards

The ES-1000X complies with the following NFPA 72 Fire Alarm Systems requirements:

- **LOCAL** (Automatic, Manual, Waterflow and Sprinkler Supervisory)
- **AUXILIARY** (Automatic, Manual and Waterflow) (requires 4XTMF)
- **REMOTE STATION** (Automatic, Manual and Waterflow) (Where a DACT is not accepted, the alarm, trouble and supervisory relays may be connected to UL 864 listed transmitters. For reverse polarity signaling of alarm and trouble, 4XTMF is required.)
- **PROPRIETARY** (Automatic, Manual and Waterflow)
- **CENTRAL STATION** (Automatic, Manual and Waterflow, and Sprinkler Supervised)
- **DAC, PSDN** (Digital Alarm Communicator, Packet-switched Data Network)

Agency Listings

The listings and approvals below apply to the basic ES-1000X control panel. In some cases, certain modules may not be listed by certain approval agencies, or listing may be in process. Consult factory for latest listing status.

- **UL:** S624
- **ULC:** S624
- **CSFM:** 7165-0075:0500
- **FDNY:** COA #2023-TMCOAP-006158-CERT
- **FM Approved**

LiteSpeed™ is a trademark and Fire-Lite® Alarms, SWIFT®, and System Sensor® are registered trademarks of Honeywell International Inc. AT&T® is a registered trademark of the AT&T Properties, L.P. Gentex® is a registered trademark of the Gentex Corporation. Microsoft® and Windows® are registered trademarks of the Microsoft Corporation. Verizon® is a registered trademark of Verizon Trademark Services LLC. Wheelock® is a registered trademark of Cooper Technologies Co. ©2023 by Honeywell International Inc. All rights reserved. Unauthorized use of this document is strictly prohibited.



This document is not intended to be used for installation purposes.
We try to keep our product information up-to-date and accurate.
We cannot cover all specific applications or anticipate all requirements.
All specifications are subject to change without notice.



For more information, contact Fire-Lite Alarms. Phone: (800) 627-3473, FAX:(877) 699-4105.
www.firelite.com

Country of Origin: USA

Inventory availability information direct from Honeywell

ITEM #1: 480 Fire-Lite SD365-IV Addressable Photoelectric Smoke Detector (or Equivalent)

Estimated availability based on an order placed today for desired quantity: **In Stock,**

Available to Ship

ITEM #2: 60 Fire-Lite SD365 Addressable Plug-in Photoelectric Smoke Detector (or Equivalent)

Estimated availability based on an order placed today for desired quantity: **In Stock,**

Available to Ship

ITEM #3: 20 Fire-Lite H365 Addressable Heat Detector (or Equivalent)

Estimated availability based on an order placed today for desired quantity: **In Stock,**

Available to Ship

ITEM #4: 70 Fire-Lite H365-IV Addressable Heat Detector (or Equivalent)

Estimated availability based on an order placed today for desired quantity: **October 9th**

ITEM #5: 105 Fire-Lite BG-12LX Dual Action Addressable Pull Station (or Equivalent)

Estimated availability based on an order placed today for desired quantity: **In Stock,**

Available to Ship

ITEM #6: 14 System Sensor SS-CO Addressable CO Detector (or Equivalent)

Estimated availability based on an order placed today for desired quantity: **October**

24th (This one seems a little long to me... I couldn't see it being this long in my honest opinion. We are making these regularly.)

ITEM #7: 41 Fire-Lite CRF-300 2-Form Relays (or Equivalent)

Estimated availability based on an order placed today for desired quantity: **In Stock,**

Available to Ship

ITEM #8: 25 Fire-Lite CMF-300 Intelligent Addressable Control Module (or Equivalent)

Estimated availability based on an order placed today for desired quantity: **October 2nd**

ITEM #9: 15 Fire-Lite MMF-301 Addressable Mini-Monitor Module (or Equivalent)

Estimated availability based on an order placed today for desired quantity: **October 1st**

ITEM #10: 10 Fire-Lite ANN-80 80-Character Serial LCD Annunciator (or Equivalent)

Estimated availability based on an order placed today for desired quantity: **September 26th**

ITEM #11: 11 Fire-Lite ES-1000X Fire Alarm Control Panel (or Equivalent)

Available Quantity: 0 - Available To Ship Date: 19-SEP-2024

Available Quantity: 4 - Available To Ship Date: 27-SEP-2024

Available Quantity: 7 - Available To Ship Date: 30-SEP-2024

